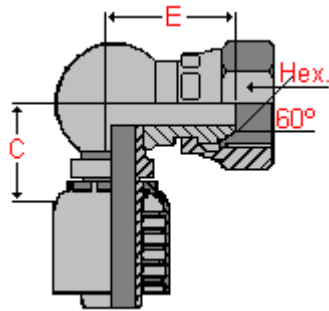


Balfit[®] Multicrimp Hydraulic Hose Fitting



Balfit[®] 90° Compact Elbow BSP Swivel Female - P23.3082 one piece - non-skive

one piece carbon steel, BSP (British thread 60° cone) 90° compact elbow BSP female fitting for crimping on high pressure hydraulic hoses



According to **BS 5200**

Material : carbon steel, zinc plated

Hoses : **Balflex[®]** wire braid hydraulic hoses **SAE 100R1AT / SAE 100R2AT / DIN EN 853 1SN / 2SN**

Balflex[®] 2 – MAX JACK

Balflex[®] Balpac compact hydraulic hoses **SAE 100R16 / SAE 100R17 / DIN EN 857 1SC / 2SC**

part number	hose dash	hose Ø	thread	thread dash	C Cut Off	E	Hex.
		inch			mm	mm	mm
P23.3082.0404	- 4	1/4"	1/4" – 19	- 4	22	25	19
P23.3082.0506	- 5	5/16"	3/8" – 19	- 6	26	29	22
P23.3082.0606	- 6	3/8"	3/8" – 19	- 6	26	29	22
P23.3082.0608	- 6	3/8"	1/2" – 14	- 8	28	34	27
P23.3082.0808	- 8	1/2"	1/2" – 14	- 8	30	34	27
P23.3082.1010	- 10	5/8"	5/8" – 14	- 10	30	35	28
P23.3082.1212	- 12	3/4"	3/4" – 14	- 12	36	39	32
P23.3082.1616	- 16	1"	1" – 11	- 16	45	46	38

also available:

Balfit[®] Multicrimp Stainless Steel 90° Compact Elbow Female BSP

(add an 'S' at the end of the part number; ex: P23.3082.0808 S)

Construction characteristics and dimensions may be changed at any time without prior notice.

The data contained herein is information purposes only and does not enlarge, amend or imply any warranty other than provided by the manufacturer with the product. Any use of the product not in conformance with the manufacturer's instructions may be dangerous.

Only items in this catalogue are carried in stock. Some items are subjected to minimum quantities or sold only in multiples of standard quantities. Please refer to the price list or contact our commercial department.

Balflex[®] – The European Technology