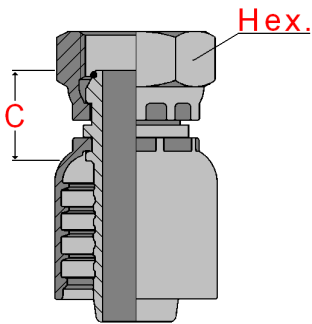




Balfit[®] Multicrimp Hydraulic Hose Fitting

Balfit[®] BSP O’ring Swivel Female - P23.3112 one piece - non-skive

one piece carbon steel, BSP (British thread 60° cone with O-ring) female fitting for crimping on high pressure hydraulic hoses



According to **ISO WD 12151-6.2** and **ISO WD 8434-6.2** According to **BS 5200**

Material : carbon steel, zinc plated

Hoses : Balflex[®] wire braid hydraulic hoses **SAE 100R1AT / SAE 100R2AT / DIN EN 853 1SN / 2SN**

Balflex[®] 2 – MAX JACK

Balflex[®] Balpac compact hydraulic hoses **SAE 100R16 / SAE 100R17 / DIN EN 857 1SC / 2SC**

part number	hose dash	hose Ø	thread	thread dash	C Cut Off	Hex.
		inch				
P23.3112.0404	- 4	1/4"	1/4" – 19	- 4	17	19
P23.3112.0606	- 6	3/8"	3/8" – 19	- 6	20	22
P23.3112.0808	- 8	1/2"	1/2" – 14	- 8	22	27
P23.3112.1010	- 10	5/8"	5/8" – 14	- 10	23	30
P23.3112.1212	- 12	3/4"	3/4" – 14	- 12	24	32
P23.3112.1616	- 16	1"	1" – 11	- 16	27	41

also available:

Balfit[®] Multicrimp Stainless Steel BSP O’ring Female

(add an 'S' at the end of the part number; ex: P23.3112.0808 S)

Construction characteristics and dimensions may be changed at any time without prior notice.

The data contained herein is information purposes only and does not enlarge, amend or imply any warranty other than provided by the manufacturer with the product. Any use of the product not in conformance with the manufacturer’s instructions may be dangerous.

Only items in this catalogue are carried in stock. Some items are subjected to minimum quantities or sold only in multiples of standard quantities. Please refer to the price list or contact our commercial department.

Balflex[®] – The European Technology