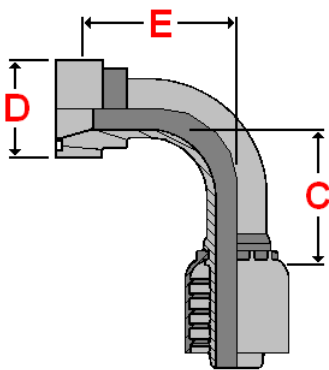


Balfit® Multicrimp Spiral Hose Fittings



Balfit® Spiral 90° Swept SUPERCAT Flange P24.7196 / P12.7196 - one piece - non-skive

one-piece carbon steel Supercat 90° swept flanged fitting for crimping on high pressure hydraulic hoses



According to ISO 6162 and ISO 12151-3 According to SAE J516 and SAE J518

Material : carbon steel, zinc plated

P24 Series for Hoses : Balflex® Balmaster hoses SAE 100R9R / DIN EN 856 4SP

Balflex® Balmaster hose SAE 100R12 (1/2" to 1")

P12 Series for Hoses : Balflex® Balmaster hose SAE 100R12 (1.1/4" to 2")

part number	hose dash	hose Ø	Flange size	flange dash	D	C	E
		inch	inch		Ø Flange	Cut Off	
		mm	mm			mm	mm
P24.7196.1212	- 12	3/4"	3/4"	- 12	41,3	56	60
P24.7196.1216	- 12	3/4"	1"	- 16	47,6	56	67
P24.7196.1616	- 16	1"	1"	- 16	47,6	71	79
P24.7196.1620	- 16	1"	1.1/4"	- 20	54,0	72	85
P24.7196.2020	- 20	1.1/4"	1.1/4"	- 20	54,0	85	90
P24.7196.2024	- 20	1.1/4"	1.1/2"	- 24	63,5	91	92
P24.7196.2424	- 24	1.1/2"	1.1/2"	- 24	63,5	99	104
P24.7196.2432	- 24	1.1/2"	2"	- 32	79,4	99	92
P24.7196.3232	- 32	2"	2"	- 32	79,4	125	117

part number	hose dash	hose Ø	Flange size	flange dash	D	C	E
		inch	inch		Ø Flange	Cut Off	
		mm	mm			mm	mm
P12.7196.2020	- 20	1.1/4"	1.1/4"	- 20	54,0	85	90
P12.7196.2024	- 20	1.1/4"	1.1/2"	- 24	63,5	91	92
P12.7196.2424	- 24	1.1/2"	1.1/2"	- 24	63,5	99	104
P12.7196.2432	- 24	1.1/2"	2"	- 32	79,4	99	92
P12.7196.3232	- 32	2"	2"	- 32	79,4	125	117

Construction characteristics and dimensions may be changed at any time without prior notice.

The data contained herein is information purposes only and does not enlarge, amend or imply any warranty other than provided by the manufacturer with the product. Any use of the product not in conformance with the manufacturer's instructions may be dangerous.

Only items in this catalogue are carried in stock. Some items are subjected to minimum quantities or sold only in multiples of standard quantities. Please refer to the price list or contact our commercial department.

Balflex® – The European Technology