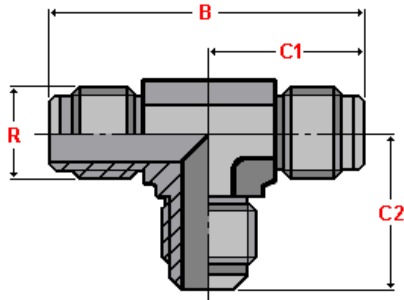




Balfit[®] SAE 37° Flared Pipe Fittings

Balfit[®] Union Tee JIC Male – 35.505.

carbon steel JIC male X JIC male X JIC male tee connector



According to **ISO 8434-2** According to **SAE J514**

Material: Carbon Steel

Finish: Zinc-plated

part number	Ø tube		thread	dimensions		
	mm	inch		R	B	C1
35.505.04	6	1/4"	7/16" – 20	45	23	23
35.505.05	8	5/16"	1/2" – 20	48	24	24
35.505.06	10	3/8"	9/16" – 18	54	27	27
35.505.08	12	1/2"	3/4" – 16	64	32	32
35.505.10	15	5/8"	7/8" – 14	74	37	37
35.505.12	20	3/4"	1.1/16" – 12	84	42	42
35.505.16	25	1"	1.5/16" – 12	92	46	46
35.505.20	32	1.1/4"	1.5/8" – 12	105	52	52
35.505.24	38	1.1/2"	1.7/8" – 12	118	59	59
35.505.32	50	2"	2.1/2" – 12	156	78	78

also available:

Balfit[®] Stainless Steel Union Tee

(add an 'S' at the end of the part number; ex: 35.505.04 S)

Construction characteristics and dimensions may be changed at any time without prior notice.

The data contained herein is information purposes only and does not enlarge, amend or imply any warranty other than provided by the manufacturer with the product. Any use of the product not in conformance with the manufacturer's instructions may be dangerous.

Only items in this catalogue are carried in stock. Some items are subjected to minimum quantities or sold only in multiples of standard quantities. Please refer to the price list or contact our commercial department.

Balflex[®] – The European Technology