

# Balfit® SAE 37° Flared Pipe Fittings

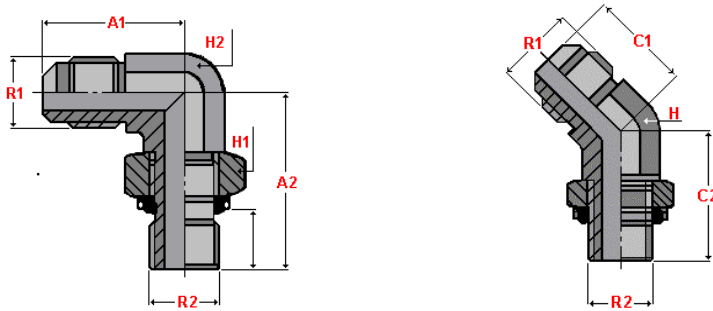


## Balfit® 90° Elbow JIC Male x SAE-ORB – 35.575.

carbon steel JIC male x SAE-ORB male 90° elbow "adjustable" connector

## Balfit® 45° Elbow JIC Male x SAE-ORB – 35.590.

carbon steel JIC male x SAE-ORB male 45° elbow "adjustable" connector



According to **ISO 8434-2** According to **SAE J514**

**Material:** Carbon Steel  
**Finish:** Zinc-plated

| part number | ∅ tube |        | thread       |              | dimensions |    |    |    |
|-------------|--------|--------|--------------|--------------|------------|----|----|----|
|             | mm     | inch   | R1           | R2           | A1         | A2 | H1 | H2 |
| 35.575.0404 | 6      | 1/4"   | 7/16" – 20   | 7/16" – 20   | 24         | 26 | 14 | 11 |
| 35.575.0505 | 8      | 5/16"  | 1/2" – 20    | 1/2" – 20    | 26         | 32 | 17 | 14 |
| 35.575.0606 | 10     | 3/8"   | 9/16" – 18   | 9/16" – 18   | 26         | 32 | 17 | 14 |
| 35.575.0808 | 12     | 1/2"   | 3/4" – 16    | 3/4" – 16    | 31         | 37 | 22 | 19 |
| 35.575.1010 | 15     | 5/8"   | 7/8" – 14    | 7/8" – 14    | 35         | 43 | 25 | 22 |
| 35.575.1212 | 20     | 3/4"   | 1.1/16" – 12 | 1.1/16" – 12 | 41         | 49 | 32 | 27 |
| 35.575.1616 | 25     | 1"     | 1.5/16" – 12 | 1.5/16" – 12 | 47         | 52 | 38 | 35 |
| 35.575.2020 | 32     | 1.1/4" | 1.5/8" – 12  | 1.5/8" – 12  | 57         | 57 | 48 | 43 |

| part number | ∅ tube |        | thread       |              | dimensions |    |    |
|-------------|--------|--------|--------------|--------------|------------|----|----|
|             | mm     | inch   | R1           | R2           | C1         | C2 | H  |
| 35.590.0404 | 6      | 1/4"   | 7/16" – 20   | 7/16" – 20   | 19         | 27 | 14 |
| 35.590.0505 | 8      | 5/16"  | 1/2" – 20    | 1/2" – 20    | 22         | 29 | 17 |
| 35.590.0606 | 10     | 3/8"   | 9/16" – 18   | 9/16" – 18   | 22         | 29 | 17 |
| 35.590.0808 | 12     | 1/2"   | 3/4" – 16    | 3/4" – 16    | 26         | 33 | 22 |
| 35.590.1010 | 15     | 5/8"   | 7/8" – 14    | 7/8" – 14    | 30         | 39 | 25 |
| 35.590.1212 | 20     | 3/4"   | 1.1/16" – 12 | 1.1/16" – 12 | 35         | 44 | 32 |
| 35.590.1616 | 25     | 1"     | 1.5/16" – 12 | 1.5/16" – 12 | 39         | 47 | 38 |
| 35.590.2020 | 32     | 1.1/4" | 1.5/8" – 12  | 1.5/8" – 12  | 40         | 49 | 48 |

also available:

### Balfit® Stainless Steel 90° Elbow JIC Male x SAE-ORB

(add an 'S' at the end of the part number; ex: 35.575.0808 S)

### Balfit® Stainless Steel 45° Elbow JIC Male x SAE-ORB

(add an 'S' at the end of the part number; ex: 35.590.0808 S)

Construction characteristics and dimensions may be changed at any time without prior notice.

The data contained herein is information purposes only and does not enlarge, amend or imply any warranty other than provided by the manufacturer with the product. Any use of the product not in conformance with the manufacturer's instructions may be dangerous.

Only items in this catalogue are carried in stock. Some items are subjected to minimum quantities or sold only in multiples of standard quantities. Please refer to the price list or contact our commercial department.

**Balflex® – The European Technology**