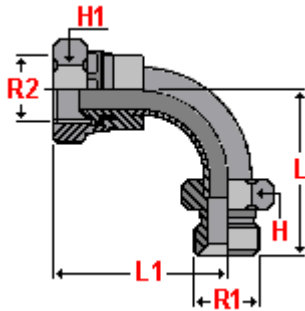




# Balfit<sup>®</sup> Hydraulic Adapters

## Balfit<sup>®</sup> 90° Elbow Male x Swivel Female BSP – 52.590

carbon steel 90° elbow male x swivel female BSP 60° cone



According to **ISO 8434-6**

**Material:** Carbon Steel, zinc plated

part number	working pressure	thread	thread	L	L1	H1	H2
	bar	R1	R2	mm	mm	mm	mm
52.590.02	350	1/8" – 28	1/8" – 28	34	30	14	14
52.590.04	350	1/4" – 19	1/4" – 19	36	32	19	19
52.590.06	250	3/8" – 19	3/8" – 19	43	41	22	22
52.590.08	225	1/2" – 14	1/2" – 14	48	36	27	27
52.590.12	200	3/4" – 14	3/4" – 14	59	58	32	32
52.590.16	160	1" – 11	1" – 11	70	67	38	38
52.590.20	160	1-1/4" – 11	1-1/4" – 11	77	75	50	50
52.590.24	160	1-1/2" – 11	1-1/2" – 11	95	93	55	55
52.590.32	100	2" – 11	2" – 11	119	114	65	70

also available:

### Balfit<sup>®</sup> Stainless Steel 90° Elbow Male x Swivel Female BSP

(add an 'S' at the end of the part number; ex: 52.590.12 S)

**Construction characteristics and dimensions may be changed at any time without prior notice.**

The data contained herein is information purposes only and does not enlarge, amend or imply any warranty other than provided by the manufacturer with the product. Any use of the product not in conformance with the manufacturer's instructions may be dangerous.

Only items in this catalogue are carried in stock. Some items are subjected to minimum quantities or sold only in multiples of standard quantities. Please refer to the price list or contact our commercial department.

**Balflex<sup>®</sup> – The European Technology**