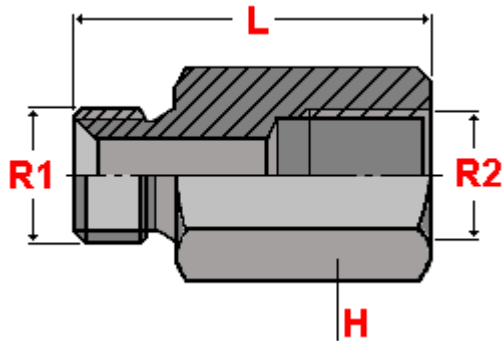


# Balfit<sup>®</sup> Hydraulic Adapters



## Balfit<sup>®</sup> BSPP Male x BSP Fixed Female Adapter – 52.5000

carbon steel BSPP Male x BSP Fixed Female Adapter



According to **ISO 8434-6**

**Material:** Carbon Steel, zinc plated

part number	working pressure	thread		L	H
	bar	R1	R2	mm	mm
52.5000.0204	350	1/8" – 28	1/8" – 28	31	19
52.5000.0406	350	1/4" – 19	1/4" – 19	38	22
52.5000.0408	225	3/8" – 19	3/8" – 19	34	27
52.5000.0608	225	1/2" – 14	1/2" – 14	43	27
52.5000.0612	200	3/4" – 14	3/4" – 14	42	32
52.5000.0812	225	1" – 11	1" – 11	45	32
52.5000.0816	225	1-1/4" – 11	1-1/4" – 11	45	38
52.5000.1216	200	1-1/2" – 11	1-1/2" – 11	46	38

also available:

### Balfit<sup>®</sup> Stainless Steel BSPP Male x BSP Fixed Female Adapter

(add an 'S' at the end of the part number; ex: 52.5000.0812 S)

**Construction characteristics and dimensions may be changed at any time without prior notice.**

The data contained herein is information purposes only and does not enlarge, amend or imply any warranty other than provided by the manufacturer with the product. Any use of the product not in conformance with the manufacturer's instructions may be dangerous.

Only items in this catalogue are carried in stock. Some items are subjected to minimum quantities or sold only in multiples of standard quantities. Please refer to the price list or contact our commercial department.

**Balflex<sup>®</sup> – The European Technology**