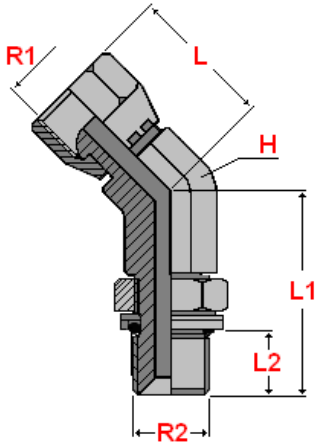


Balfit® Hydraulic Adapters



Balfit® 45° Elbow Adjustable BSPP Male x Female – 52.7011

carbon steel 45° Elbow Adjustable BSPP Male x BSPP Female



According to **ISO 8434-6**

Material: Carbon Steel, zinc plated

part number	working pressure	thread		L	L1	L2	H
	bar	R1	R2	mm	mm	mm	mm
52.7011.02	350	1/8" – 28	1/8" – 28	23,5	18	6,3	11
52.7011.04	350	1/4" – 19	1/4" – 19	26	21	9,5	14
52.7011.06	250	3/8" – 19	3/8" – 19	34	25	9,5	19
52.7011.08	225	1/2" – 14	1/2" – 14	36	28	13	22
52.7011.12	200	3/4" – 14	3/4" – 14	39	33	13	27
52.7011.16	160	1" – 11	1" – 11	39	37	16	33

also available:

Balfit® Stainless Steel 45° Elbow Adjustable BSPP Male x Female

(add an 'S' at the end of the part number; ex: 52.7011.06 S)

Construction characteristics and dimensions may be changed at any time without prior notice.

The data contained herein is information purposes only and does not enlarge, amend or imply any warranty other than provided by the manufacturer with the product. Any use of the product not in conformance with the manufacturer's instructions may be dangerous.

Only items in this catalogue are carried in stock. Some items are subjected to minimum quantities or sold only in multiples of standard quantities. Please refer to the price list or contact our commercial department.

Balflex® – The European Technology