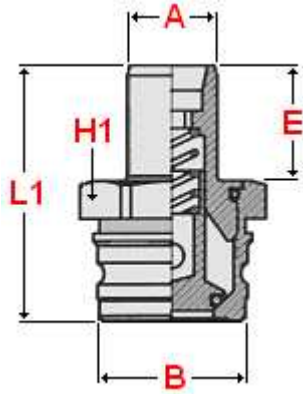




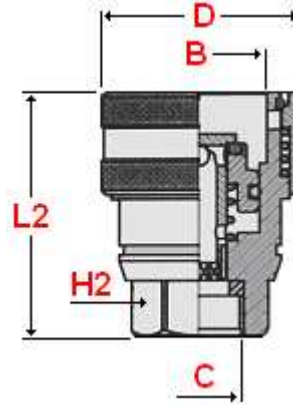
Balflex® Hydraulic Quick Couplings

Balflex® Quick-Action Trailer Brake IFR Couplings

quick-action couplings for high pressure hydraulic systems with flat low spillage closure detail



40.E005 - Male



40.E006 - Female



According to ISO 5676

Materials: carbon steel body, zinc plated, with synthetic rubber sealing rings and PTFE holding rings

Threads : female BSP

Valve closure detail : flat face

Maximum operating temperature : + 98°C / + 208°F (other materials for higher temperatures as special features)

Minimum operating temperature : - 20°C / - 4°F (other materials for lower temperatures as special features)

Application : agricultural machinery brake systems

part number male	nominal size	part number female	nominal size	working pressure		dimensions (mm)						
	A		C	bar	PSI	B	H1	L1	C	D	H2	L2
40.E005.0808	1/2"	40.E006.0806	3/8"	220	3200	30	31	32	59	45	27	55
40.E005.0808	1/2"	40.E006.0808	1/2"	220	3200	30	15	32	43	45	27	55

Construction characteristics and dimensions may be changed at any time without prior notice.

The data contained herein is information purposes only and does not enlarge, amend or imply any warranty other than provided by the manufacturer with the product. Any use of the product not in conformance with the manufacturer's instructions may be dangerous.

Only items in this catalogue are carried in stock. Some items are subjected to minimum quantities or sold only in multiples of standard quantities. Please refer to the price list or contact our commercial department.

Balflex® – The European Technology