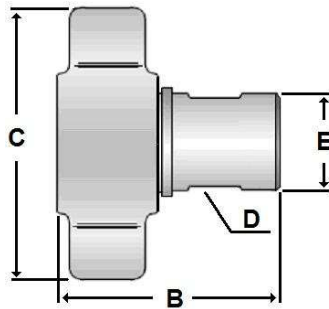




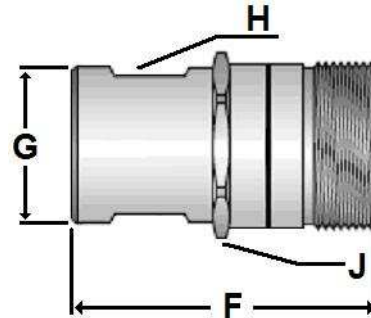
Balflex® Hydraulic Quick Couplings

Balfit® Screw Valves

(screwing valves for high pressure hydraulic systems)



40.S001 – Wing Nut



40.S002 - Nipple



Materials: brass body, zinc plated

Threads : female NPTF

Valve closure detail : poppet valve

Maximum operating temperature : + 120°C / 250°F

Minimum operating temperature : - 4°C / -40°F

Application : Applications include "wet-line-kits" used widely on dump trailers, mobile drilling

Special features : rigs, mining equipment, large mobile equipment, salt spreaders, and chemical transfer units.

Connection and disconnection by hand are possible at low pressure

Part Number Wing Nut	Part Number Nipple	nominal size		rated working pressure*		dimensions (mm)							
		mm	inch	MPa	PSI	B	C	D	E	F	G	H	J
40.S001.12	40.S002.12	19	3/4"	20.7	3000	69	103	29	32	77	35	29	41
40.S001.16	40.S002.16	25	1"	20.7	3000	84	111	36	39	84	44	36	48
40.S001.20	40.S002.20	32	1.1/4"	17.2	2500	93	132	45	48	87	53	48	54

(* Minimum burst pressure is equal to 3 times the rated pressure. Not recommended for continuous hydraulic impulse applications at rated pressure)

Construction characteristics and dimensions may be changed at any time without prior notice.

The data contained herein is information purposes only and does not enlarge, amend or imply any warranty other than provided by the manufacturer with the product. Any use of the product not in conformance with the manufacturer's instructions may be dangerous.

Only items in this catalogue are carried in stock. Some items are subjected to minimum quantities or sold only in multiples of standard quantities. Please refer to the price list or contact our commercial department.

Balflex® – The European Technology