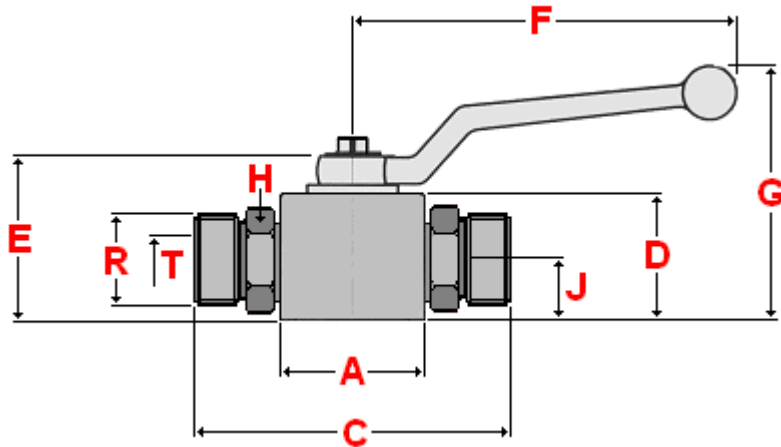




Balflex® Hydraulic Ball Valves

Balflex® 2-Way Directional Ball Valve - (BKH)

carbon steel ball valve for shut off of high pressure hydraulic lines



40.202B L / S – 2-Way Ball Valve Metric Male

Directional Scheme: 2 1 2 1

Function : 2-way ball valve for shut off of hydraulic lines

Materials : carbon steel body, zinc plated; zamak handle, plated

Threads : metric male

Maximum operating temperature : + 98°C / + 208°F (other materials for higher temperatures as special features)

Minimum operating temperature : - 0°C / + 32°F (other materials for lower temperatures as special features)

Application : high pressure hydraulic lines, agricultural equipment, mining industry, paint industry

part number	nominal size	working pressure		dimensions (mm)								
		bar	PSI	R	T	C	D	E	F	G	H	J
40.202L.0512	- 5	500	7250	M12x1.5	6L	40	35	45.5	105.5	71	26	13
40.202L.0614	- 6	500	7250	M14x1.5	8L	40	35	45.5	105.5	71	26	13
40.202L.0816	- 8	500	7250	M16x1.5	10L	45	35	50.5	105.5	76	32	16
40.202S.0820	- 8	500	7 250	M20x1.5	12S	45	35	50.5	105.5	76	32	16
40.202S.1324	- 13	500	7 250	M24x1.5	16S	50	45	55.5	105.5	81	35	17.5
40.202S.1330	- 13	250	3 600	M30x2.0	20S	50	45	55.5	105.5	81	35	17.5
40.202S.2036	- 20	250	3 600	M36x2.0	25S	60	58	73	159.5	108	50	23
40.202S.2542	- 25	250	3 600	M42x2.0	30S	65	65	80	159.5	115	57	27.5

Construction characteristics and dimensions may be changed at any time without prior notice.

The data contained herein is information purposes only and does not enlarge, amend or imply any warranty other than provided by the manufacturer with the product. Any use of the product not in conformance with the manufacturer's instructions may be dangerous.

Only items in this catalogue are carried in stock. Some items are subjected to minimum quantities or sold only in multiples of standard quantities. Please refer to the price list or contact our commercial department.

Balflex® – The European Technology