

Balfit® SAE Flanged Connections

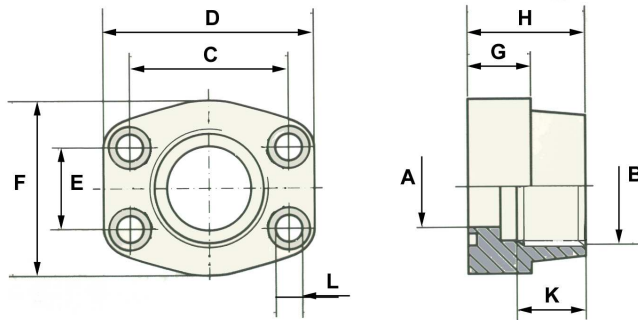


Balfit® 3000 PSI Flange with NPT Thread – 88.3310

carbon steel flange for 3000 PSI (code 61) hydraulic lines, with NPT female threaded connection

Balfit® 6000 PSI Flange with NPT Thread – 88.6310

carbon steel flange for 6000 PSI (code 62) hydraulic lines, with NPT female threaded connection



According to **ISO 6162** According to **SAE J518**

Material: Forged carbon steel

Finish: Zinc-plated

Part Number	Nominal Size	Working Pressure	Dimensions (mm)										for bolts	
	inch		bar	A	B (NPT)	C	D	E	F	G	H	K	L	M
88.3310.08	1/2	345	13	1/2	38	57	17	46	16	36	19	9	M8	5/16
88.3310.0806	1/2	345	13	3/8	38	57	17	46	16	36	19	9	M8	5/16
88.3310.12	3/4	345	19	3/4	48	65	22	50	18	36	19	11	M10	3/8
88.3310.1208	3/4	345	13	1/2	48	65	22	50	18	36	19	11	M10	3/8
88.3310.16	1	345	25	1	52	70	26	55	18	38	22	11	M10	3/8
88.3310.1612	1	345	19	3/4	52	70	26	55	21	35	19	11	M10	3/8
88.3310.20	1.1/4	276	32	1.1/4	59	79	30	68	21	41	22	12	M10	7/16
88.3310.2016	1.1/4	276	25	1	59	81	30	65	25	42	22	12	M10	7/16
88.3310.24	1.1/2	207	38	1.1/2	70	93	36	78	25	45	24	14	M12	1/2
88.3310.2420	1.1/2	207	32	1.1/4	70	95	36	78	27	45	24	14	M12	1/2
88.3310.32	2	207	51	2	78	102	43	90	25	45	30	14	M12	1/2
88.3310.3224	2	207	38	1.1/2	78	102	43	90	25	45	26	14	M12	1/2

88.6310.08	1/2	414	13	1/2	40	57	18	46	16	36	19	9	M8	5/16
88.6310.12	3/4	414	19	3/4	51	71	24	55	21	35	19	11	M10	3/8
88.6310.16	1	414	25	1	57	81	28	65	25	42	22	13	M12	7/16
88.6310.20	1.1/4	414	32	1.1/4	67	95	32	78	27	45	23	15	M14	1/2
88.6310.24	1.1/2	414	38	1.1/2	79	112	37	94	30	50	26	17	M16	5/8
88.6310.32	2	414	51	2	96	134	44	114	37	65	30	21	M20	3/4

also available:

Balfit® Stainless Steel Flange with NPT thread

(add an "S" at the end of the part number: ex: 88.3310.08 S)

Balfit® Counter-Flange with NPT thread (without o-ring groove)

(change to 1 the 5th digit of the part number: ex: 88.3311.08)

Balfit® 90° Elbow Flange with NPT thread

(change to 3 the 5th digit of the part number: ex: 88.3313.08)

Construction characteristics and dimensions may be changed at any time without prior notice.

The data contained herein is information purposes only and does not enlarge, amend or imply any warranty other than provided by the manufacturer with the product. Any use of the product not in conformance with the manufacturer's instructions may be dangerous.

Only items in this catalogue are carried in stock. Some items are subjected to minimum quantities or sold only in multiples of standard quantities. Please refer to the price list or contact our commercial department.

Balflex® – The European Technology