

Balfit® SAE Flanged Connections

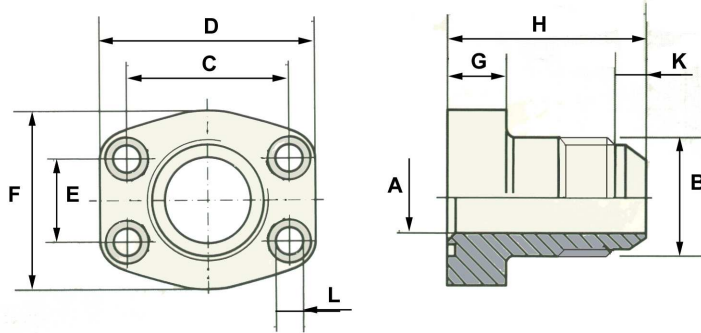


Balfit® 3000 PSI Flange with JIC Male Thread – 88.3330

carbon steel flange for 3000 PSI (code 61) hydraulic lines, with JIC 37° male threaded connection

Balfit® 6000 PSI Flange with JIC Male Thread – 88.6330

carbon steel flange for 6000 PSI (code 62) hydraulic lines, with JIC 37° male threaded connection



According to **ISO 6162** According to **SAE J518**

Material: Forged carbon steel
Finish: Zinc-plated

Part Number	Nominal Size	Working Pressure	Dimensions (mm)										for bolts	
	inch		bar	A	B (UNF)	C	D	E	F	G	H	K	L	M
88.3330.08	1/2	345	10	3/4	38	54	17	46	13	52	6	9	M8	5/16
88.3330.0810	1/2	345	12	7/8	38	54	17	46	13	52	8	9	M8	5/16
88.3330.12	3/4	345	16	1-1/16	48	65	22	50	14	60	8	12	M10	3/8
88.3330.16	1	345	22	1-5/16	52	70	26	55	16	63	8	12	M10	3/8
88.3330.20	1.1/4	276	28	1-5/8	59	79	30	68	14	65	9	12	M10	7/16
88.3330.24	1.1/2	207	33	1-7/8	70	94	36	78	16	70	10	14	M12	1/2

88.6330.08	1/2	414	10	3/4	40	56	18	48	16	60	6	9	M8	5/16
88.6330.0810	1/2	414	12	7/8	40	56	18	48	16	60	7	9	M10	5/16
88.6330.12	3/4	414	16	1-1/16	51	71	24	60	19	73	8	12	M12	3/8
88.6330.16	1	414	22	1-5/16	57	81	28	70	24	82	8	13	M14	7/16
88.6330.20	1.1/4	414	28	1-5/8	67	95	32	78	27	92	9	15	M16	1/2
88.6330.24	1.1/2	414	33	1-7/8	79	113	37	95	30	96	10	18	M20	5/8

also available:

Balfit® Stainless Steel Flange with JIC Male Thread

(add an "S" at the end of the part number: ex: 88.3330.08 S)

Balfit® 90° Elbow Flange with JIC Male Thread

(change to "3" the 5th digit of the part number: ex: 88.3333.08; also available in stainless steel)

Balfit® Flange with Metric 24° Cone Male Thread

(change to "4" the 4th digit of the part number: ex: 88.3340.08; also available in stainless steel)

Balfit® Flange with BSP 60° Cone Male Thread

(change to "5" the 4th digit of the part number: ex: 88.3350.08; also available in stainless steel)

Balfit® Flange with UNF O-Ring face Seal Male Thread

(change to "6" the 4th digit of the part number: ex: 88.3360.08; also available in stainless steel)

Construction characteristics and dimensions may be changed at any time without prior notice.

The data contained herein is information purposes only and does not enlarge, amend or imply any warranty other than provided by the manufacturer with the product. Any use of the product not in conformance with the manufacturer's instructions may be dangerous.

Only items in this catalogue are carried in stock. Some items are subjected to minimum quantities or sold only in multiples of standard quantities. Please refer to the price list or contact our commercial department.

Balflex® – The European Technology