



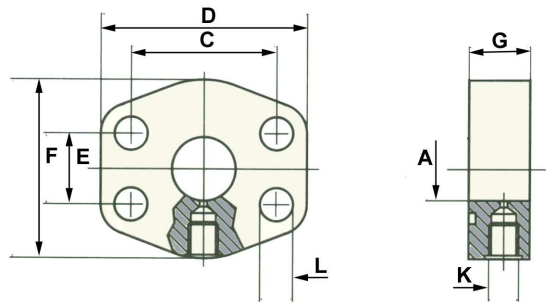
Balfit[®] SAE Flanged Connections

Balfit[®] 3000 PSI Distance Piece with Lateral Hole – 88.3601

carbon steel flat flange for 3000 PSI (code 61) hydraulic lines, with through hole for pressure check

Balfit[®] 6000 PSI Distance Piece with Lateral Hole – 88.6601

carbon steel flat flange for 6000 PSI (code 62) hydraulic lines, with through hole for pressure check



According to **ISO 6162** According to **SAE J518**

Material: Forged carbon steel
Finish: Zinc-plated

Part Number	Nominal Size	Working Pressure	Dimensions (mm)							Lateral hole Thread K	
	inch		A	C	D	E	F	G	L	Metric	Gas
88.3601.1602	1	345	25	32	71	26	60	19	11		1/8
88.3601.1610	1	345	25	32	71	26	60	19	11	M10	
88.3601.2002	1.1/4	276	32	59	81	30	68	20	12		1/8
88.3601.2004	1.1/4	276	32	59	81	30	68	20	12		1/4
88.3601.2010	1.1/4	276	32	59	81	30	68	20	12	M10	
88.3601.2012	1.1/4	276	32	59	81	30	68	20	12	M12	
88.3601.2402	1.1/2	207	38	70	95	36	78	25	14		1/8
88.3601.2404	1.1/2	207	38	70	95	36	78	25	14		1/4
88.3601.2410	1.1/2	207	38	70	95	36	78	25	14	M10	
88.3601.2412	1.1/2	207	38	70	95	36	78	25	14	M12	
88.3601.3202	2	207	51	78	102	43	90	19	14		1/8
88.3601.3210	2	207	51	78	102	43	90	19	14	M10	
88.6601.1602	1	414	25	57	81	28	70	22	13		1/8
88.6601.1604	1	414	25	57	81	28	70	22	13		1/4
88.6601.1610	1	414	25	57	81	28	70	22	13	M10	
88.6601.1612	1	414	25	57	81	28	70	22	13	M12	
88.6601.2002	1.1/4	414	32	67	95	32	78	25	15		1/8
88.6601.2004	1.1/4	414	32	67	95	32	78	25	15		1/4
88.6601.2010	1.1/4	414	32	67	95	32	78	25	15	M10	
88.6601.2012	1.1/4	414	32	67	95	32	78	25	15	M12	
88.6601.2402	1.1/2	414	38	79	112	37	94	28	17		1/8
88.6601.2404	1.1/2	414	38	79	112	37	94	28	17		1/4
88.6601.2410	1.1/2	414	38	79	112	37	94	28	17	M10	
88.6601.2412	1.1/2	414	38	79	112	37	94	28	17	M12	
88.6601.3202	2	414	51	97	134	44	114	28	21		1/8
88.6601.3204	2	414	51	97	134	44	114	28	21		1/4
88.6601.3210	2	414	51	97	134	44	114	28	21	M10	
88.6601.3212	2	414	51	97	134	44	114	28	21	M12	

also available in stainless steel; add an "S" to the part number

Construction characteristics and dimensions may be changed at any time without prior notice.

The data contained herein is information purposes only and does not enlarge, amend or imply any warranty other than provided by the manufacturer with the product. Any use of the product not in conformance with the manufacturer's instructions may be dangerous.

Only items in this catalogue are carried in stock. Some items are subjected to minimum quantities or sold only in multiples of standard quantities. Please refer to the price list or contact our commercial department.

Balflex[®] – The European Technology