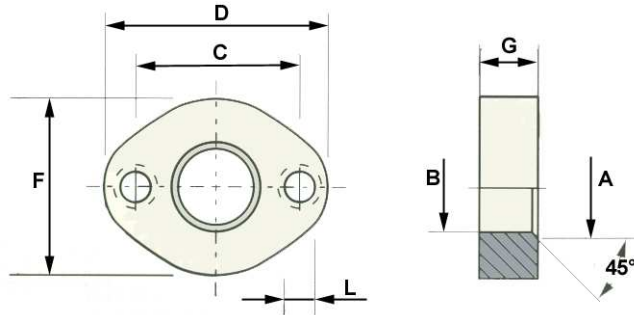


# Balfit® SAE Flanged Connections



## Balfit® 6000 PSI Oval (2 Bolts) Flange – 88.7710

carbon steel 2 bolts flange for 6000 PSI (code 62) hydraulic lines, with through hole



**Material:** Forged carbon steel  
**Finish:** Zinc-plated

Part Number	Nominal Size		Working Pressure		Dimensions (mm)					
	inch	bar	A	B	C	D	F	G	L	
88.7710.08	1/2	414	22	21	44	60	48	14	9	
88.7710.0810	1/2	414	27	24	44	60	48	14	9	
88.7710.12	3/4	414	32	29	56	76	60	18	11	
88.7710.16	1	414	43	38	64	88	70	22	13	
88.7710.20	1.1/4	414	49	44	74	103	78	25	15	

also available:

**Balfit® Stainless Steel Oval Flange**  
 (add an "S" at the end of the part number: ex: 88.7710.08 S)

Construction characteristics and dimensions may be changed at any time without prior notice.

The data contained herein is information purposes only and does not enlarge, amend or imply any warranty other than provided by the manufacturer with the product. Any use of the product not in conformance with the manufacturer's instructions may be dangerous.

Only items in this catalogue are carried in stock. Some items are subjected to minimum quantities or sold only in multiples of standard quantities. Please refer to the price list or contact our commercial department.

**Balflex® – The European Technology**