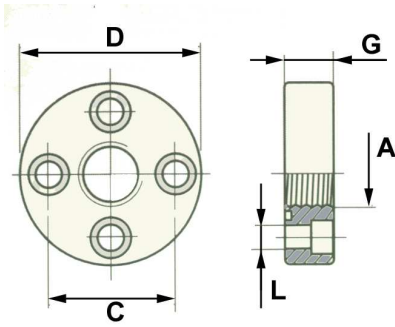




# Balfit<sup>®</sup> SAE Flanged Connections

## Balfit<sup>®</sup> Flat Flange for Hydraulic Pumps – 88.7720

carbon steel 4 bolts flange for in- and out-take of hydraulic pumps, with BSP threaded hole

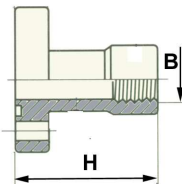


**Material:** Forged St 52.3 carbon steel  
**Finish:** Zinc-plated

Part Number	Nominal Size	Working Pressure	Dimensions (mm)				
	inch		A	C	D	G	L
88.7720.06	3/8	1	10	30	45	12	7
88.7720.08	1/2	2	13	40	58	14	9
88.7720.12	3/4	3	19	51	76	18	11
88.7720.16	1	3,5	25	62	88	20	11
88.7720.20	1.1/4	4	32	73	98	22	13

also available:

### 88.7721 - Balfit<sup>®</sup> 4 Bolt Flange for Hydraulic Pumps with Female BSP Connection



### 88.7722 - Balfit<sup>®</sup> 4 Bolt Flange for Hydraulic Pumps with Male BSP Connection

### 88.7723 - Balfit<sup>®</sup> 4 Bolt Flange for Hydraulic Pumps with Weld-on Connection

Construction characteristics and dimensions may be changed at any time without prior notice.

The data contained herein is information purposes only and does not enlarge, amend or imply any warranty other than provided by the manufacturer with the product. Any use of the product not in conformance with the manufacturer's instructions may be dangerous.

Only items in this catalogue are carried in stock. Some items are subjected to minimum quantities or sold only in multiples of standard quantities. Please refer to the price list or contact our commercial department.

**Balflex<sup>®</sup> – The European Technology**