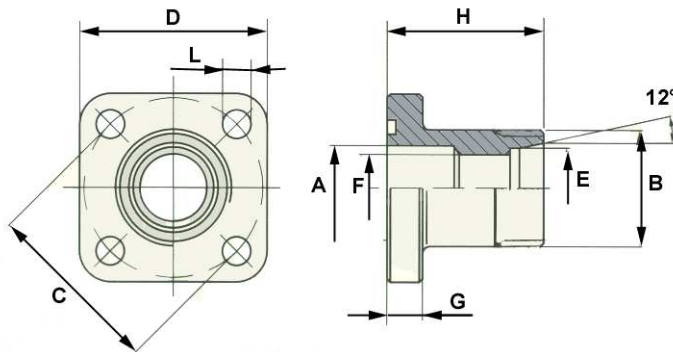


# Balfit<sup>®</sup> SAE Flanged Connections



## Balfit<sup>®</sup> Metric Flange – 88.7740

carbon steel 4 bolts flange with DIN 24° cone Metric thread connection



According to **DIN 3901 / 3902**

**Material:** Forged St 52.3 carbon steel  
**Finish:** Zinc-plated

Part Number	Nominal Size	Working Pressure	Dimensions (mm)								Metric Screws	
	mm		bar	B	C	D	E	F	G	H		L
88.7740.1216	12	315	M16 x 1,5	35	39	10	8	8	8	30	6	M6 x 20
88.7740.1218	12	315	M18 x 1,5	35	39	12	10	8	8	30	6	M6 x 20
88.7740.1222	12	250	M22 x 1,5	35	39	15	12	8	8	30	6	M6 x 20
88.7740.1224	12	250	M24 x 1,5	35	39	16	12	8	8	30	6	M6 x 20
88.7740.1226	12	250	M26 x 1,5	35	39	18	12	8	8	30	6	M6 x 20
88.7740.1630	16	250	M30 x 2,0	55	55	20	16	12	12	40	8	M8 x 30
88.7740.1922	19	100	M22 x 1,5	40	42	15	12	8	8	35	6	M6 x 20
88.7740.1926	19	100	M26 x 1,5	40	42	18	15	8	8	35	6	M6 x 20
88.7740.1930	19	100	M30 x 2,0	40	42	22	19	8	8	35	6	M6 x 20
88.7740.2036	20	100	M36 x 2,0	40	42	28	20	8	8	42	6	M6 x 20
88.7740.2445	24	100	M45 x 2,0	55	60	35	24	12	12	50	8	M8 x 30

Construction characteristics and dimensions may be changed at any time without prior notice.

The data contained herein is information purposes only and does not enlarge, amend or imply any warranty other than provided by the manufacturer with the product. Any use of the product not in conformance with the manufacturer's instructions may be dangerous.

Only items in this catalogue are carried in stock. Some items are subjected to minimum quantities or sold only in multiples of standard quantities. Please refer to the price list or contact our commercial department.

**Balflex<sup>®</sup> – The European Technology**