



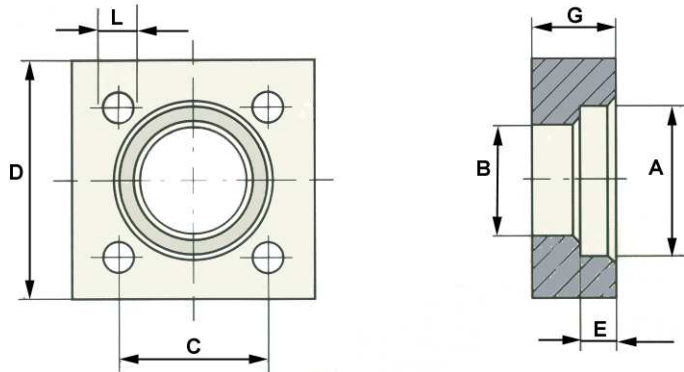
Balfit[®] SAE Flanged Connections

Balfit[®] 3000 PSI CETOP Square Flange Clamp – 88.9300

carbon steel square CETOP flange clamp for 3000 PSI (code 61) hydraulic lines

Balfit[®] 6000 PSI CETOP Square Flange Clamp – 88.9600

carbon steel square CETOP flange clamp for 6000 PSI (code 62) hydraulic lines



Material: Forged St. 52.3 carbon steel
Finish: Zinc-plated

Part Number	Nominal Size	Working Pressure	Dimensions (mm)						
	inch	bar	A	B	C	D	G	H	L
88.9300.06	3/8	250	25	19	25	40	6	14	7
88.9300.08	1/2	250	31	24	30	45	6	15	9
88.9300.12	3/4	250	39	32	35	50	6	16	9
88.9300.16	1	250	45	39	44	65	8	18	11
88.9300.20	1.1/4	250	52	44	52	75	8	22	13
88.9300.24	1.1/2	250	61	51	60	85	8	25	15
88.9300.32	2	250	72	63	69	100	9	30	17
88.9300.40	2-1/2	250	88	77	83	120	9	35	21
88.9300.48	3	250	102	91	103	140	9	40	21
88.9300.56	3-1/2	250	120	103	103	140	18	52	21
88.9300.64	4	250	132	115	113	160	21	60	25

88.9600.06	3/8	400	27	19	25	40	7	16	7
88.9600.08	1/2	400	33	24	30	45	7	17	9
88.9600.12	3/4	400	40	32	35	50	8	20	9
88.9600.16	1	400	48	39	44	65	9	24	11
88.9600.20	1.1/4	400	55	44	52	75	10	28	13
88.9600.24	1.1/2	400	64	51	60	85	12	32	15
88.9600.32	2	400	80	63	69	100	12	40	17
88.9600.40	2-1/2	400	95	77	83	120	16	45	21
88.9600.48	3	400	105	91	103	140	16	52	21
88.9600.56	3-1/2	400	120	103	103	140	18	52	21
88.9600.64	4	400	132	115	113	160	21	60	25

also available:

Balfit[®] Stainless Steel CETOP Square Flange Clamp

(add an "S" at the end of the part number: ex: 88.9300.08 S)

Construction characteristics and dimensions may be changed at any time without prior notice.

The data contained herein is information purposes only and does not enlarge, amend or imply any warranty other than provided by the manufacturer with the product. Any use of the product not in conformance with the manufacturer's instructions may be dangerous.

Only items in this catalogue are carried in stock. Some items are subjected to minimum quantities or sold only in multiples of standard quantities. Please refer to the price list or contact our commercial department.

Balflex[®] – The European Technology