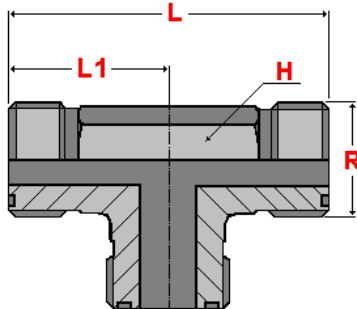




Balfit[®] Union Tee ORFS Male – 36.505.

carbon steel ORFS male X ORFS male X ORFS male tee connector

SAE# 520401



According to ISO 8434-3 According to SAE J1453

Material: Carbon Steel
Finish: Zinc-plated

part number	Ø tube		thread	dimensions		
	mm	inch		R	L	L1
36.505.0404	6	1/4"	9/16" - 18	43	21.5	14
36.505.0606	10	3/8"	11/16" - 16	50	25	17
36.505.0808	12	1/2"	13/16" - 16	56	28	19
36.505.1010	15	5/8"	1" - 14	67	33.5	27
36.505.1212	20	3/4"	1.3/16" - 12	75	37.5	30
36.505.1616	25	1"	1.7/16" - 12	83	41.5	36
36.505.2020	32	1.1/4"	1.11/16" - 12	89	44.5	41
36.505.2424	38	1.1/2"	2" - 12	98	49	48

also available:

Balfit[®] Stainless Steel Union Tee

(add an 'S' at the end of the part number; ex: 36.505.04S)

Construction characteristics and dimensions may be changed at any time without prior notice.

The data contained herein is information purposes only and does not enlarge, amend or imply any warranty other than provided by the manufacturer with the product. Any use of the product not in conformance with the manufacturer's instructions may be dangerous.

Only items in this catalogue are carried in stock. Some items are subjected to minimum quantities or sold only in multiples of standard quantities. Please refer to the price list or contact our commercial department.

Balflex[®] – The European Technology