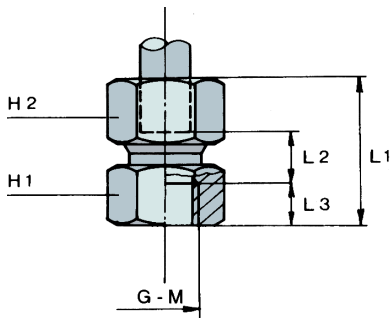




# Balfit<sup>®</sup> Compression Ring Pipe Fittings

## Balfit<sup>®</sup> BSP Female Connector – 34.107.

carbon steel parallel BSP thread female 24° compression ring pipe fitting



According to **ISO 8434-1** According to **DIN 2353**

**Material:** Carbon Steel

**Finish:** Zinc-plated

part number	Ø tube	thread	dimensions						working pressure	ISO series
			mm	G	L1	L2	L3	H1		
34.107.06LR02	6	1/8	33,5	7	12	14	14		31.5	L
34.107.08LR04	8	1/4	39	7	17	19	17		31.5	L
34.107.10LR04	10	1/4	40	8	17	19	19		31.5	L
34.107.12LR06	12	3/8	40,5	9	17	24	22		31.5	L
34.107.15LR08	15	1/2	46	11	20	27	27		31.5	L
34.107.18LR08	18	1/2	47	10,5	20	27	32		31.5	L
34.107.22LR12	22	3/4	52	13,5	22	36	36		16.0	L
34.107.28LR16	28	1	54	13	24,5	41	41		16.0	L
34.107.35LR20	35	1-1/4	63	15	26,5	55	50		16.0	L
34.107.42LR24	42	1-1/2	66	14,5	28,5	60	60		16.0	L
34.107.06SR04	6	1/4	41	9	17	19	17		63.0	S
34.107.08SR04	8	1/4	41	9	17	19	19		63.0	S
34.107.10SR06	10	3/8	42,5	9,5	17	24	22		63.0	S
34.107.12SR06	12	3/8	42,5	9,5	17	24	24		63.0	S
34.107.14SR08	14	1/2	50	12	20	30	27		63.0	S
34.107.16RS08	16	1/2	50	11,5	20	30	30		40.0	S
34.107.20SR12	20	3/4	56	12,5	22	36	36		40.0	S
34.107.25SR16	25	1	61	12,5	24,5	41	46		40.0	S
34.107.30SR20	30	1-1/4	69	16	26,5	55	50		40.0	S
34.107.38SR24	38	1-1/2	75	15,5	28,5	60	60		31.5	S

also available:

## Balfit<sup>®</sup> Stainless Steel 24° Compression Ring

(add an 'S' at the end of the part number; ex: 34.107.16RS08)

Construction characteristics and dimensions may be changed at any time without prior notice.

The data contained herein is information purposes only and does not enlarge, amend or imply any warranty other than provided by the manufacturer with the product. Any use of the product not in conformance with the manufacturer's instructions may be dangerous.

Only items in this catalogue are carried in stock. Some items are subjected to minimum quantities or sold only in multiples of standard quantities. Please refer to the price list or contact our commercial department.

**Balflex<sup>®</sup> – The European Technology**